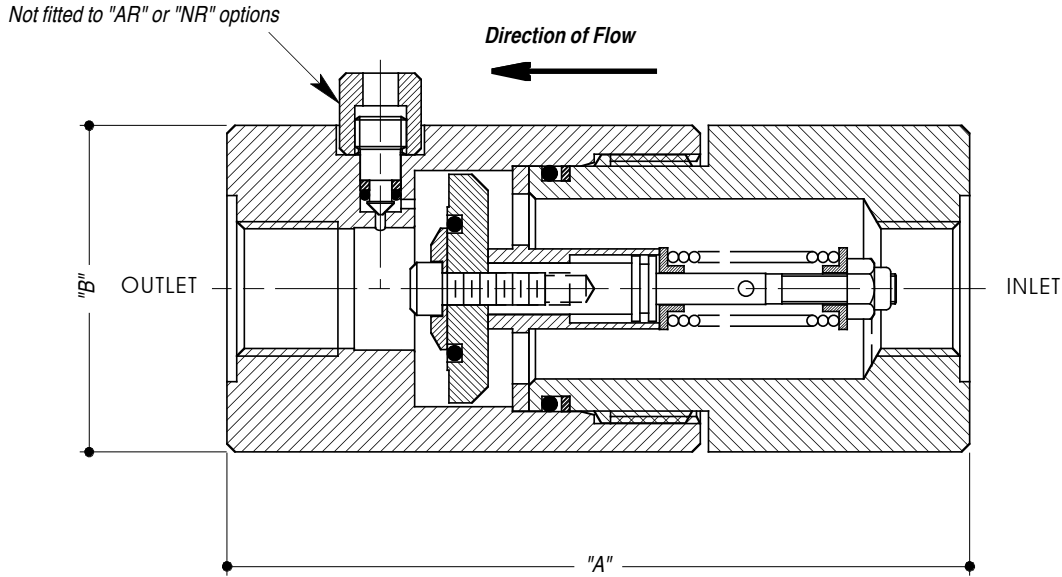


EXCESS FLOW VALVE

TYPES: **R25, R37, R50, R75, R100, R150**



- STAINLESS STEEL (316 / 1.4404)
- SUITABLE FOR LIQUID OR GAS USE.
- ALL DIMENSIONS IN INCHES.



Option "MR" illustrated above

TECHNICAL SPECIFICATION							ORDERING EXAMPLE
Valve Type:	R25	R37	R50	R75	R100	R150	R25
Porting / Connection Options:	P = BSP (Parallel) N = NPT (Taper)						P
Valve Type Options:	MR = Manual Re-set AR = Auto Re-set NR = Non Re-set						MR
Flow Rate: Water (l/min)	2 - 10	2 - 10	5 - 40	5 - 40	10 - 79	2 - 190	LF *
Flow Rate: Air @ 276 Barg (Nm ³ /hr)	60 - 280	60 - 280	145 - 1140	145 - 1140	280 - 2260	280 - 5420	
Flow Rate: Water (l/min)	—	8 - 22	—	37 - 90	25 - 123	32 - 316	HF *
Flow Rate: Air @ 276 Barg (Nm ³ /hr)	—	229 - 630	—	1058 - 2250	710 - 3450	914 - 9000	
Max. Working Pressure - Liquid	6,000 psi						6K
Max. Working Pressure - Gas	4,000 psi						
Port Size:	1/4"	3/8"	1/2"	3/4"	1.00"	1.50"	
Valve Seat Mat'l: Liquid/Gas	Stainless Steel - 316/1.4404						
Seal Material:	Viton (other materials available by request)						
Dry Weight: (kg)	1.3	1.3	1.5	1.5	1.8	1.8	
Working Temperature Range:	-10°C to +120°C						
Closing DP: (Typically)	0.5 to 1 Bar						
Leak Rate:	Zero						
Dimension (ins) - Length "A"	3.50"	3.50"	4.60"	4.60"	7.82"	7.82"	
Dimension (ins) - Length "B"	1.50"A/F	1.50"A/F	Ø2.0"	Ø2.0"	Ø3.0"	Ø3.0"	

Technical Specification Notes:-

* Other materials available (Monel, Inconel, Hastelloy) subject to PED approval.